



Technical Data

SURFACE-MOUNTED AUTOMATIC HAND DRYER

B-715

- Specify Voltage Required:**
- 115V AC, 20 Amp, 2300 Watts, 50/60 Hz, Single Phase, UL/c-UL Listed
 - 208–230V AC, 9–10 Amp, 1900–2300 Watts, 50/60 Hz, Single Phase, UL/c-UL Listed

Specify model number followed by voltage required. Example: B-715 115V for 115-volt hand dryer.



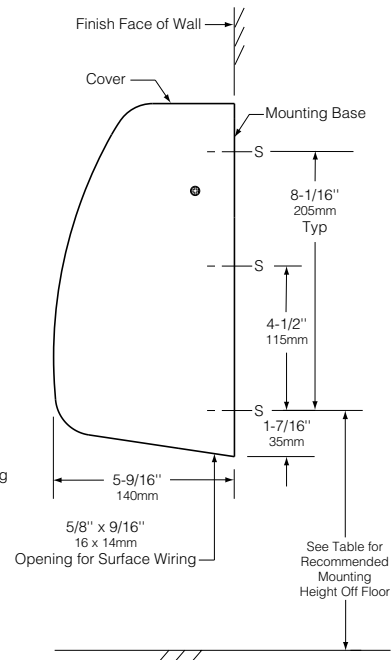
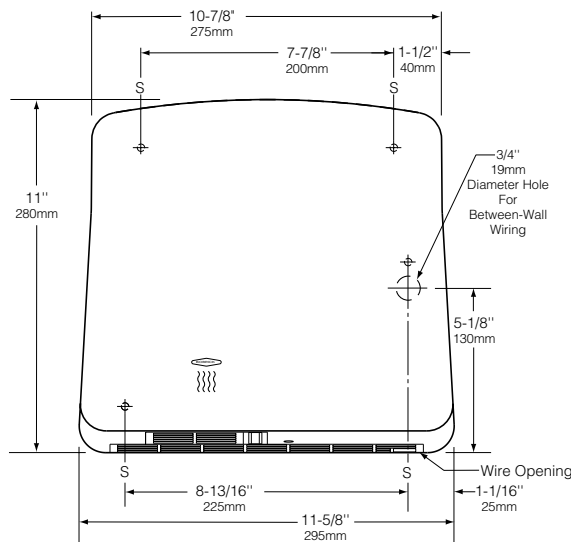
Patent Pending

*RECOMMENDED MOUNTING HEIGHTS

Men's Washrooms	46" (1170mm)
Women's Washrooms	44" (1120mm)
Children's Washrooms, ages 3–9	32" (815mm)
Children's Washrooms, ages 9–12	36" (915mm)
Children's Washrooms, ages 12–15	40" (1015mm)
Children's Washrooms, ages 15–18	44" (1120mm)
Barrier-Free Design	38" (965mm)



*Bottom of dryer mounting base to finish floor



MATERIALS:

Cover — One-piece, deep-drawn, 20-gauge (0.9mm), type-304 stainless steel with satin finish. Cover is secured to mounting base with three flat-head stainless steel screws.

Mounting Base and Fan Housing — 1/8" (3mm) thick fire-retardant molded grey plastic with high-gloss finish. UL and c-UL listed. Stainless steel air-inlet grille fits into bottom of mounting base. Stainless steel air-outlet grille is secured between fan housing and mounting base.

Motor — Maintenance-free brushless motor with sealed ball bearings at both ends of drive shaft. Equipped with automatic electronic protection.

Fan — Dynamically balanced 5-1/2" (140mm) diameter centrifugal fan with multiple metallic vanes. Directs air flow from heating element at 100cfm, mixes air to provide uniform temperature.

Heating Element — Coiled nickel-chrome heating element is protected by an automatic thermal-overload switch and thermal fuse. Heating element, which is located on inlet side of fan, heats air without hot spots—inaccessible to vandals.

Electronic Control — Infrared sensor automatically turns dryer on when hands are held under air-outlet opening and across path of sensor. Remove hands from path of sensor and dryer stops. Electronic sensor has automatic shutoff approximately two minutes after dryer turns on if an inanimate object, such as tape or chewing gum, is placed across sensor lens. After inanimate object is removed, electronic sensor automatically resets itself and dryer operates normally.

continued . . .

OPERATION:

No-touch operation. Electronic sensor automatically turns dryer on when hands are held under air-outlet opening and across path of sensor. Remove hands from path of sensor and dryer stops. Dryer will not stop by itself before user is satisfied hands are dry. Dryer operates only when actually drying hands, which saves energy and operating costs. Electronic sensor will automatically shut dryer off two minutes after dryer turns on if an inanimate object is placed across sensor lens. After inanimate object is removed, electronic sensor automatically resets itself and dryer operates normally.

5-Year Limited Warranty — This warranty is limited to the repair or exchange of defective parts at the option of Bobrick. See Installation Instruction Sheet, Form No. 715-69, for full details.

INSTALLATION:

Wall Preparation: Secure mounting base on wall using template provided. For masonry walls, provide four #10 expansion shields or anchors and secure with four #10 (M4.8) sheet-metal screws (not furnished). For plaster or dry wall construction, provide concealed backing to comply with local building codes, then secure unit with four #10 (M4.8) round-head sheet-metal screws or 3/16" (5mm) toggle bolts (not furnished). Provide electrical service from nearest distribution panel to dryer mounting base in compliance with local electrical codes.

Wiring Instructions:

1. For 115-Volt Dryers — Connect ground wire to ground terminal marked $\overline{\text{—}}$, the black or *hot* wire to terminal marked *L1*, and neutral or white wire to terminal marked *N*. **DEDICATED LINE IS REQUIRED FOR EACH 115-VOLT INSTALLATION.**
2. For 208–230-Volt Dryers — Connect ground wire to ground terminal marked $\overline{\text{—}}$ and the 208- or 230-volt wires to terminal marked *L1* and *L2*.

Notes: Electronic sensor in Elan will pick up movement within 4" (100mm) of air-outlet nozzle. Use caution when choosing location for Elan in confined areas. Consider proximity to doorways and other traffic areas.

For installation instructions that include step-by-step installation procedures and details of electrical service connections, see Form No. 715-69, which is packed with each shipment. This form is also available in advance upon request.

SPECIFICATION:

Surface-mounted hand dryer shall have a deep-drawn, 20-gauge (0.9mm) thick, stainless steel cover with satin finish. Mounting base and fan housing shall be fire-retardant molded grey plastic with high-gloss finish. Brushless motor shall be 1725 watts, sealed with ball bearings on ends of drive shaft, and be equipped with automatic electronic protection. Centrifugal fan shall have multiple metallic vanes. Heating element shall be located on inlet side of fan, shall heat without hot spots, be inaccessible to vandals, and protected by an automatic thermal-overload switch and thermal fuse. Electronic sensor shall automatically turn dryer on when hands are held under air-outlet opening and across path of sensor. Dryer shall turn off automatically when hands are removed. Sensor shall automatically shut dryer off approximately two minutes after dryer turns on if an inanimate object is placed across sensor lens. After inanimate object is removed, electronic sensor shall automatically reset itself and dryer shall operate normally. Unit shall be UL and c-UL listed and protected by a limited 5-year warranty on all parts. Manufacturer's service and parts manual shall be provided to the building owner/manager upon completion of project.

Surface-Mounted Automatic Hand Dryer shall be Model B-715 of Bobrick Washroom Equipment, Inc., Clifton Park, New York; Jackson, Tennessee; Los Angeles, California; and Bobrick Washroom Equipment of Canada Ltd., Scarborough, Ontario; Bobrick Washroom Equipment Pty. Ltd., Australia; and Bobrick Washroom Equipment Limited, United Kingdom.