



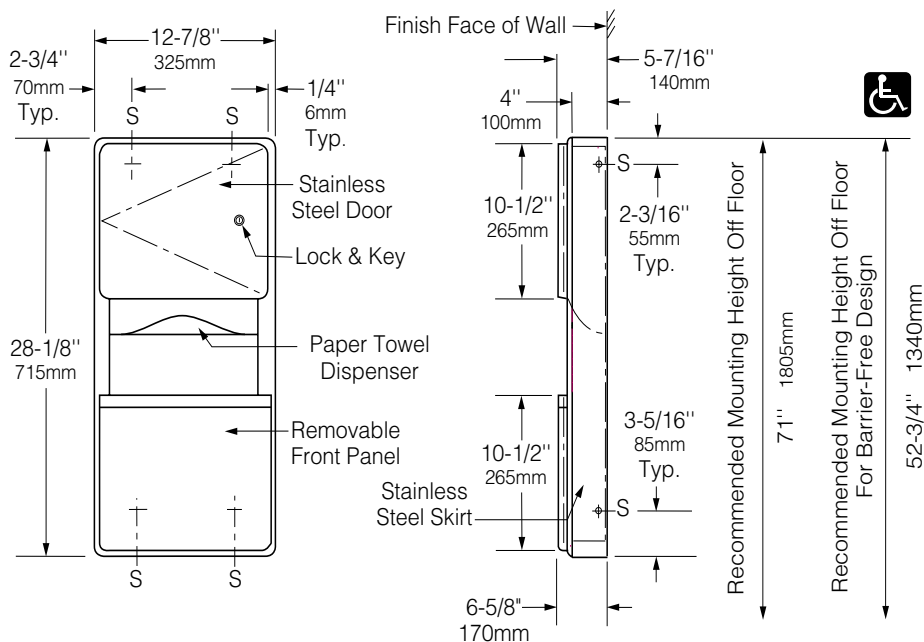
Technical Data

# CONTURA™ SERIES SURFACE-MOUNTED PAPER TOWEL DISPENSER AND WASTE RECEPTACLE

# B-43699



Patented



## MATERIALS:

**Cabinet** — 18-8 S, type-304, 22-gauge (0.8mm) stainless steel. All-welded construction. Exposed surfaces have satin finish.

**Skirt** — 18-8 S, type-304, 22-gauge (0.8mm) stainless steel with satin finish. Radius on corners complement corners and edges of flange, door, and waste receptacle.

**Flange** — 18-8 S, type-304, 22-gauge (0.8mm) stainless steel with satin finish. Drawn, one-piece, seamless construction. Radius on corners and return edges complement corners and edges of door, skirt, and waste receptacle.

**Door** — 18-8 S, type-304, 22-gauge (0.8mm) stainless steel with satin finish. Drawn, one-piece, seamless construction. Front of door has same degree of arc as front of waste receptacle and other Bobrick Contura Series washroom accessories. Radius on corners and edges of door match side edges of waste receptacle and other Contura Series accessories. Secured to cabinet with a full-length stainless steel piano-hinge. Equipped with a flush tumbler lock keyed like other Bobrick washroom accessories.

**Paper Towel Dispenser** — 18-8 S, type-304, 22-gauge (0.8mm) stainless steel with satin finish. Rounded towel tray has hemmed opening to dispense paper towels without tearing. Capacity: 350 C-fold or 475 multifold paper towels.

**Waste Receptacle** — 18-8 S, type-304, 22-gauge (0.8mm) stainless steel with satin finish. Formed, one-piece, seamless construction. Removable front panel has same degree of arc as front of door and other Bobrick Contura Series washroom accessories. Top edge hemmed for safe handling. Radius on side edges of waste receptacle match corners and edges of paper towel dispenser door and other Contura Series accessories. Secured to cabinet with two keyholes over studs on bottom and two tamper-resistant setscrews on top. Equipped with interior clips for securing furnished reusable vinyl liner. Capacity: 3.0 gal. (11.4 L).

continued . . .

**OPERATION:**

Paper towel dispenser will dispense C-fold or multifold paper towels without adjustment or use of adapters. To empty waste receptacle, remove furnished reusable vinyl liner. Front of waste receptacle is removable for cleaning cabinet interior.

**INSTALLATION:**

Mount unit on wall with four screws, furnished by manufacturer, at points indicated by an S. For plaster or dry wall construction, provide concealed backing to comply with local building codes, then secure unit with screws furnished. For other wall construction, provide fiber plugs or expansion shields for use with screws furnished, or provide 1/8" (3mm) toggle bolts or expansion bolts. If unit projects above top of wainscot, provide aluminum channel or other filler to eliminate gap between cabinet and finish face of wall.

**SPECIFICATION:**

Surface-mounted paper towel dispenser and waste receptacle shall be type-304 stainless steel with all-welded construction; exposed surfaces shall have satin finish. Front of paper towel dispenser door and waste receptacle shall have same degree of arc and match other Bobrick Contura™ Series accessories in the washroom. Radius on corners and edges of flange, skirt, door, and waste receptacle shall complement other Bobrick Contura™ Series washroom accessories. Flange shall be drawn, one-piece, seamless construction. Paper towel dispenser door shall be drawn, one-piece, seamless construction; secured to cabinet with a full-length stainless steel piano-hinge; and equipped with a flush tumbler lock keyed like other Bobrick washroom accessories. Paper towel dispenser shall dispense 350 C-fold or 475 multifold paper towels. Waste receptacle shall have a formed, one-piece, seamless, removable front panel with top edge hemmed and shall be equipped with interior clips for securing furnished reusable vinyl liner. Capacity of waste receptacle shall be 3.0 gal. (11.4 L). Manufacturer's service and parts manual shall be provided to the building owner/manager upon completion of project.

**Surface-Mounted Paper Towel Dispenser And Waste Receptacle shall be Model B-43699 of Bobrick Washroom Equipment, Inc., Clifton Park, New York; Jackson, Tennessee; Los Angeles, California; Bobrick Washroom Equipment of Canada Ltd., Scarborough, Ontario; Bobrick Washroom Equipment Pty. Ltd., Australia; and Bobrick Washroom Equipment Limited, United Kingdom.**