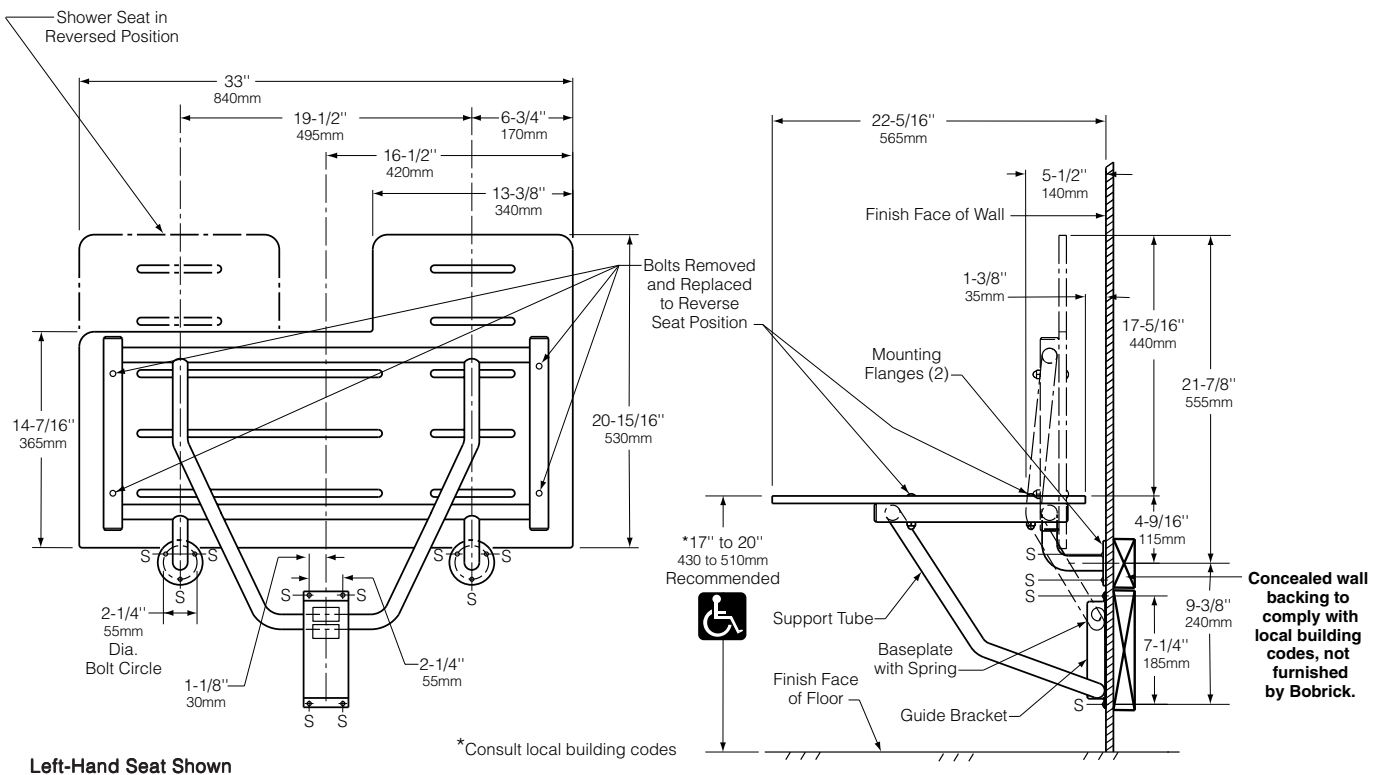




Technical Data

# REVERSIBLE SOLID PHENOLIC FOLDING SHOWER SEAT

# B-5181



Left-Hand Seat Shown

## MATERIALS:

**Seat** — One-piece, 1/2" (13mm) thick, solid phenolic with matte-finish, ivory-colored, melamine surfaces and black phenolic-resin core — cannot delaminate. Integral slots for water drainage. Secured to frame with stainless steel carriage bolts and acorn nuts. Reversible for left- or right-hand installation in the field.

**Frame** — 18-8 S, type-304, stainless steel with satin finish. 16-gauge (1.6mm), 1-1/4" (30mm) square tubing and 18-gauge (1.2mm), 1" (25mm) diameter seamless tubing.

**Mounting Flanges (2)** — 18-8 S, type-304, 3/16" (5mm) thick stainless steel with satin finish. 3" (75mm) diameter with three mounting screw holes.

**Baseplate** — 18-8 S, type-304, heavy-gauge stainless steel.

**Spring** — 17-7, type-301, 24-gauge (0.6mm) stainless steel. Spot-welded to baseplate.

**Guide Bracket** — 18-8 S, type-304, 16-gauge (1.6mm) stainless steel with satin finish.

continued . . .

## OPERATION:

Shower seat folds up against wall when not in use. The spring at the top of the baseplate holds seat in upright position until released by pulling the top of the seat away from the wall. Mounting flanges and guide bracket allow for varying mounting heights and leave the floor clear for easy cleaning. Nonporous solid phenolic seat has slots to permit water to drain, does not splinter or require oiling, and will not support growth of bacteria. Slotless round-head carriage bolts and acorn nuts provide additional safety to user. Bobrick shower seats, when properly installed, have sufficient strength to sustain more than 250 pounds of force (1112 N), complying with barrier-free accessibility guidelines (including ADAAG in the U.S.A.).

## INSTALLATION:

**Installation to Wall.** Secure unit to wall at points indicated by an S, with the two mounting flanges located at top and the baseplate and guide bracket below. The bottom of the support tube must be positioned within the baseplate and guide bracket before they are secured to wall. Mounting height of shower seat must comply with local building codes.

For stud walls, provide concealed backing to comply with local building codes and secure with #14 x 2-1/2" (6.3 x 65mm) sheet-metal screws furnished by manufacturer.

For masonry walls, provide fiber plugs or expansion shields for use with furnished screws, or provide 1/4" (6mm) toggle bolts or expansion bolts. *Designer's Note:* Bobrick Screw Anchor Kit, Part No. 517-22, is available as an optional accessory; order one Anchor Kit for each shower seat to be installed.

**Caution:** These shower seats are no stronger than the anchors and walls to which they are attached and, therefore, must be firmly secured in order to support the loads for which they are intended.

**How to Reverse Shower Seat.** The solid phenolic shower seat surface may be positioned on the stainless steel frame with the longer 20-15/16" (530mm) side on the left or right. The repositioning of the shower seat surface may be done on the frame before installation on the wall, or after the unit has been installed.

If repositioning the seat surface before installation of the unit on the wall; place entire unit on a horizontal surface; remove carriage bolts and acorn nuts (4); turn seat over reversing position of long and short ends; reinstall carriage bolts and acorn nuts.

If repositioning the seat surface after the unit has been installed on the wall; lower folding seat to horizontal position; remove carriage bolts and acorn nuts (4); turn seat over reversing position of long and short ends; reinstall carriage bolts and acorn nuts.

**Important Notes:** Support square frame tubes when loosening and removing carriage bolts and acorn nuts; the square frame tubes may separate from the round tubes that support the solid phenolic shower seat. If square and round frame tubes come apart when solid phenolic shower seat is removed, reassemble by placing round frame tube ends in the round holes on the sides of the square frame tubes.

## SPECIFICATION:

Reversible folding shower seat shall have a frame constructed of type-304, satin-finish stainless steel that consists of 16-gauge (1.6mm), 1-1/4" (30mm) square tubing and 18-gauge (1.2mm), 1" (25mm) diameter seamless tubing. Seat shall be one-piece, 1/2" (13mm) thick, solid phenolic with matte-finish, ivory-colored, melamine surfaces, and black phenolic-resin core; secured to frame with stainless steel carriage bolts and acorn nuts. Seat shall be reversible for left- or right-hand installation in the field. Shower seat shall be equipped with two 3" (75mm) diameter mounting flanges constructed of type-304, 3/16" (5mm) thick, satin-finish stainless steel; a guide bracket constructed of type-304, 16-gauge (1.6mm), satin-finish stainless steel; and a spring constructed of type-301, 24-gauge (0.6mm) stainless steel that is spot-welded to a baseplate of type-304, heavy-gauge stainless steel. Seat shall remain in upright position when not in use. Shower seat shall comply with barrier-free accessibility guidelines (including ADAAG in the U.S.A.). Manufacturer's service and parts manual shall be provided to the building owner/manager upon completion of project.

**Reversible Folding Shower Seat shall be Model B-5181 of Bobrick Washroom Equipment, Inc., Clifton Park, New York; Jackson, Tennessee; Los Angeles, California; Bobrick Washroom Equipment Company, Scarborough, Ontario; Bobrick Washroom Equipment Pty. Ltd., Australia; and Bobrick Washroom Equipment Limited, United Kingdom.**